

## Specification sheet LX 2070

### Roof drainage systems LORO-DRAINJET® Mini DN 50 80 mm weir height for box gutter from 150 mm

#### Emergency drainage

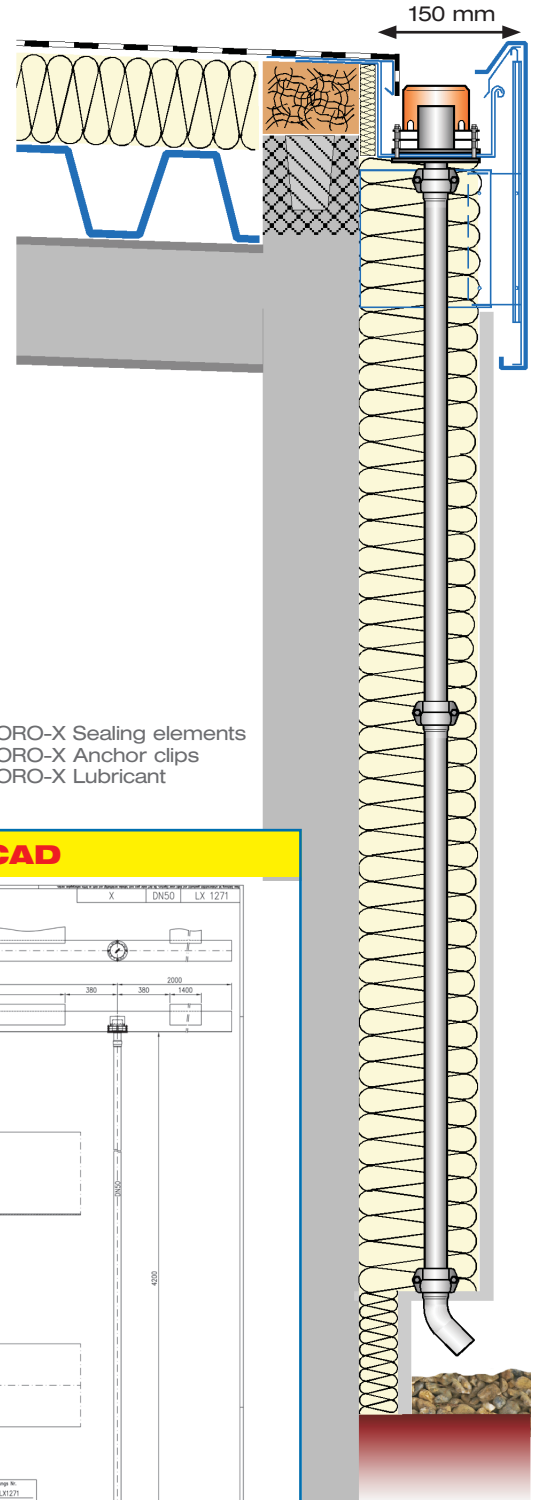
#### Siphonic flow

#### Power

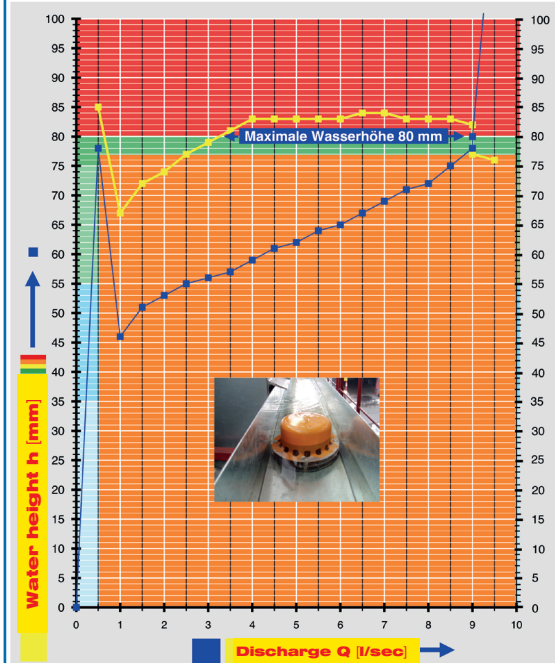
<b>Discharge rate:</b>	<b>9,0 l/sec</b>
<b>Water height:</b>	<b>80 mm</b>
<b>Roof penetration:</b>	<b>-</b>
<b>Diameter:</b>	<b>DN 50</b>
<b>LX-Number:</b>	<b>LX 1271</b>
<b>Weir height:</b>	<b>80 mm</b>
<b>Drain:</b>	<b>not ventilated</b>
<b>Downpipe:</b>	<b>not ventilated</b>
<b>Downpipe height:</b>	<b>4,2 m</b>
<b>Drainage:</b>	<b>on floor</b>
<b>Flangeform:</b>	<b>clamping flange</b>

#### LX 1271 Piece list

- |  |  |
|--|--|
| 1 x Art.-No. 21120.050X, DRAINJET® Mini DN 50        | 1 x Art.-No. 00911.050X, LORO-X Sealing elements |
| 1 x Art.-No. 01011.050X, LORO-X Pipe with one socket | 1 x Art.-No. 00806.050X, LORO-X Anchor clips     |
| 1 x Art.-No. 00320.050X, LORO-X Bend                 | 1 x Art.-No. 00986.000X, LORO-X Lubricant        |

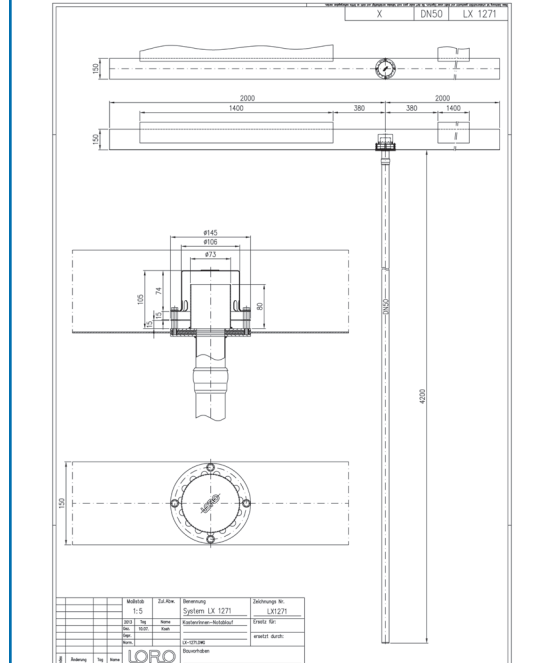


#### hQ - Head-Discharge curve



#### Systempower

#### CAD



#### Systemshape

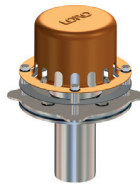
<b>Water height</b>	mm	25	30	35	40	45	50	55	60	65	70	75	77	<b>80</b>	85	90
<b>Discharge</b>	l/sec	-	-	-	-	-	-	-	-	-	-	-	-	<b>9,0</b>	9,0	9,0
<b>Power</b>																

**LORO-DRAINJET® Mini-Emergency drain, DN 50**

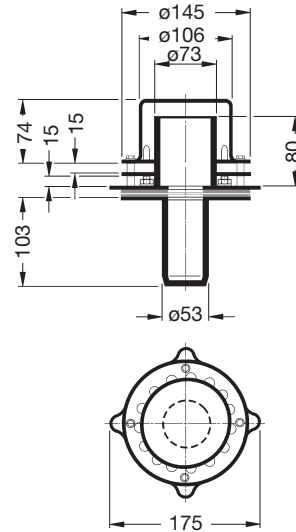
**LORO-X DRAINJET® Mini**

with clamping flange with  
weir height 80 mm,  
for Box gutter

Drain: Art.-No. 21120.050X



**LX1271-5X**



**LORO-X Bend 45°**,  
made of hot-dip galvanised steel, DN 50  
Art.-No. 00320.050X  
Weight: 0,4 kg



**LORO-X Pipe with one socket**  
made of hot-dip galvanised steel, DN 50  
4000 mm long Art.-No. 01011.050X  
Weight: 8,6 kg



**LORO-X Anchor clip**,  
made of hot-dip galvanised steel, DN 50  
Art.-No. 00806.050X  
Weight: 0,3 kg



**LORO-X Sealing element**  
Art.-No. 00911.050X  
Weight: 0,6 kg

